

# PRODUCT SPECIFICATIONS

Spec No.	B265100 C	Page	3/10
Model No.	2M265-M12		

This Specifications is based on the General Rules of Inspection for Electron Tubes ED-1101 and the Testing Methods for Continuous Wave Magnetrons ED-1501 set by the Electronic Industries Association of Japan (EIAJ).

Description	Continuous wave Magnetron (Fixed Frequency, Packaged Magnet. Probe Output)											
Outline	Refer Outline Drawing				Net weight		Approx. 3.0 Kg					
Absolute Maximum Ratings	Item	Ef	Ef	tk	Ebm	Ib	Ibm	Pi	$\sigma L$	Tp	Tc	Storage
		Stated by Operation		(3)						(4)	(4)	
	Unit	V	V	sec	kV	mAdc	A	kW	—	°C	°C	°C
	Max.	4.4	(2)	—	5.5	900	3.1	4.7	2	180	120	60
Min.	3.8	(2)	5	—	—	—	—	—	—	—	—	-30
Standard Test Conditions (1)		4.0	2.2	8	—	840	—	—	MAX 1.1	—	—	—

## Test Specifications

Test item	Test Method (ED-1501)	Test Conditions (1)	Symbol	Nominal	Limit		Unit
					Min.	Max.	
* Filament Current	4.1.1	tk=120s	If	22	20	24	A
Peak Anode Voltage	4.3.1	(5)	ebm	5.1	4.9	5.3	kV
Average Output Power	4.3.3.1	(5)	Po(1)	3000	2800	—	W
Frequency	4.3.4	(5)	f	2455	2440	2470	MHz
Breakdown Voltage	4.2	Eb=10kVdc or 7.1kVac (5) gradual voltage up	BVaf	No unusual phenomenon occur			
* Stability Moding	4.3.11.2	$\sigma L=2$ or less	ST	No moding occurrence			
Emission Moding	4.3.11.3	Ef=1.7V	Efm	No moding occurrence			
Insulation	—	1kVdc	Raf	—	100	—	MΩ

## Classification of tests.

- \*\* mark: Type approval Test.
- \* mark: Design Test.
- None: Production Test.

10/6/1999

**National/Panasonic**

# PRODUCT SPECIFICATIONS

Spec No. 8265100 C

Model No. 2M265-M12

Page

5/10

Fig.1 Cut back of Filament voltage on operation condition

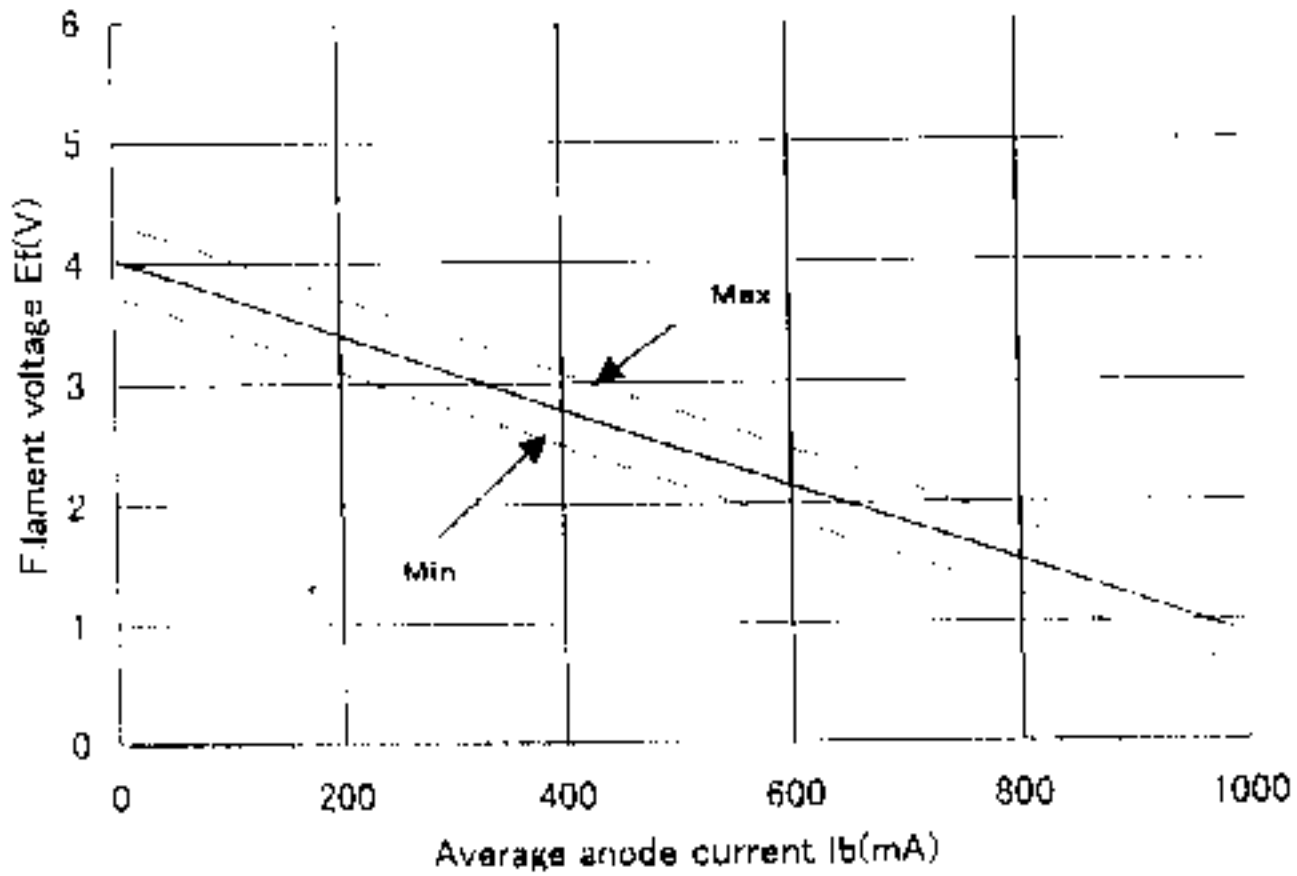
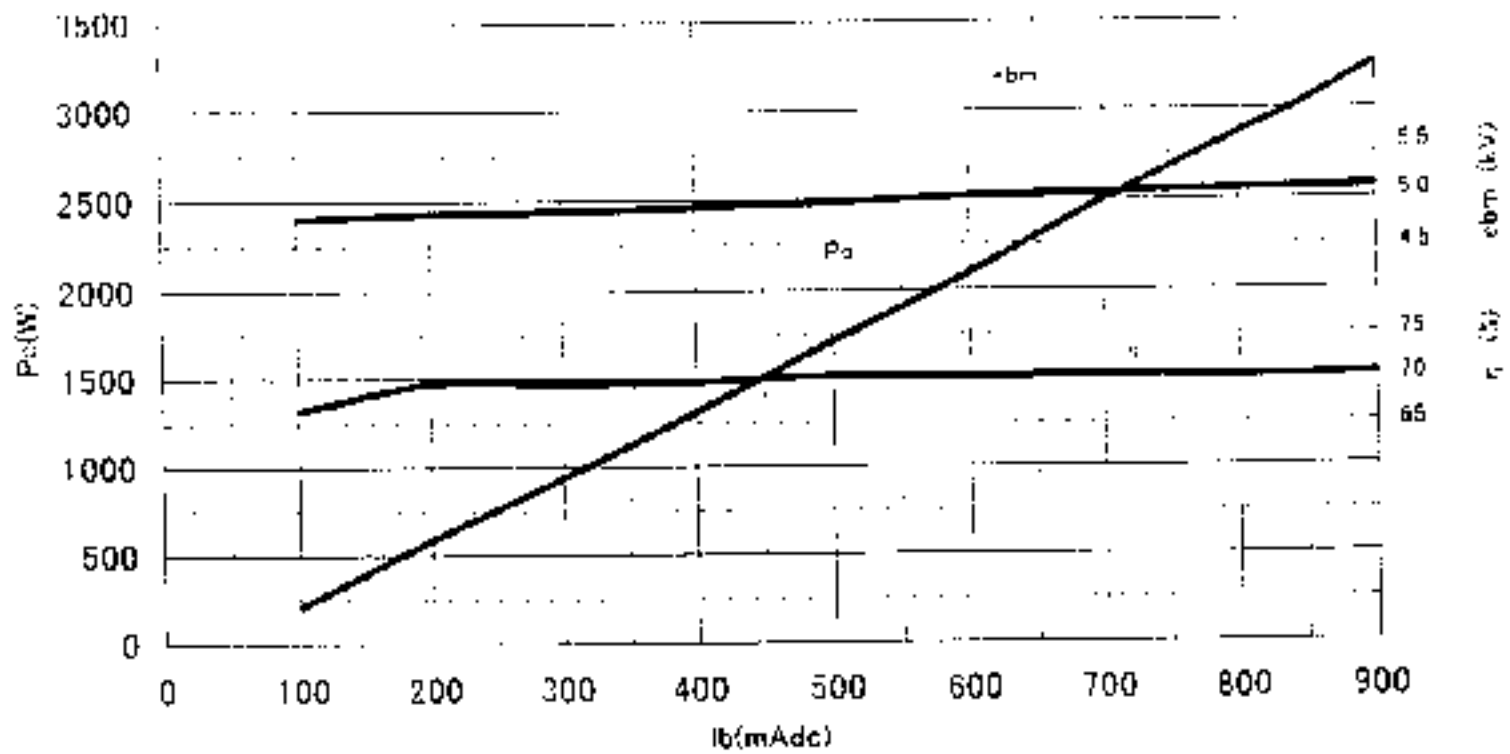


Fig.2 Performance Chart



# OUTLINE DRAWING

Spec No.

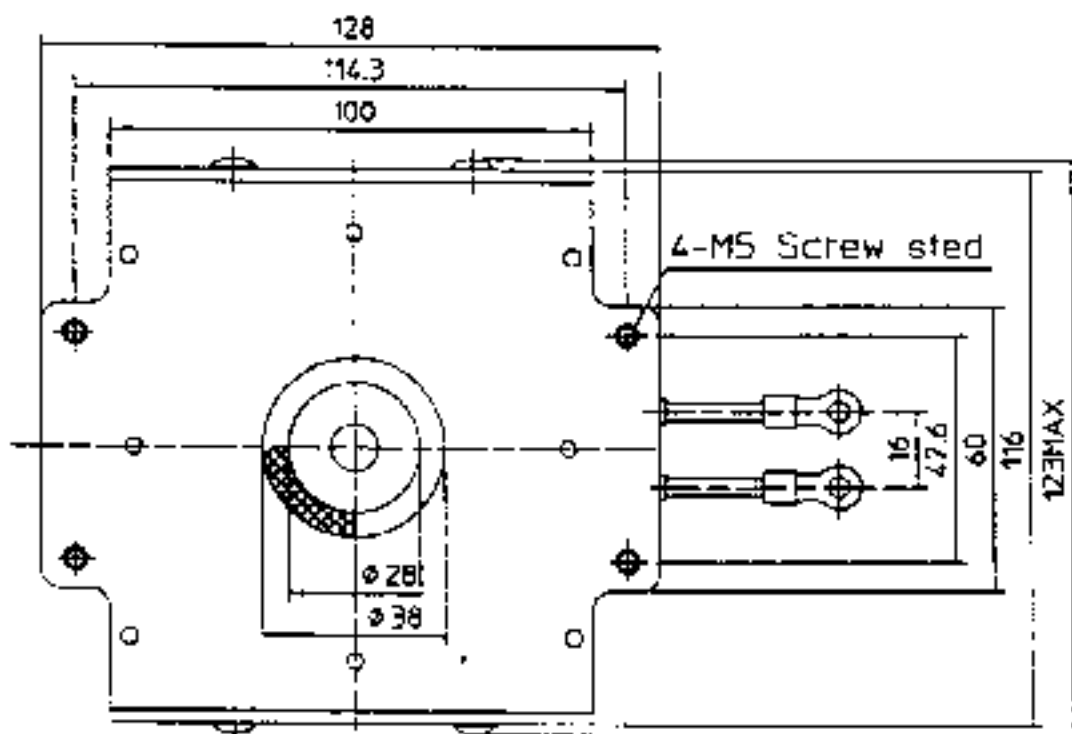
8265100 D

Model No.

2M265-M12

Page

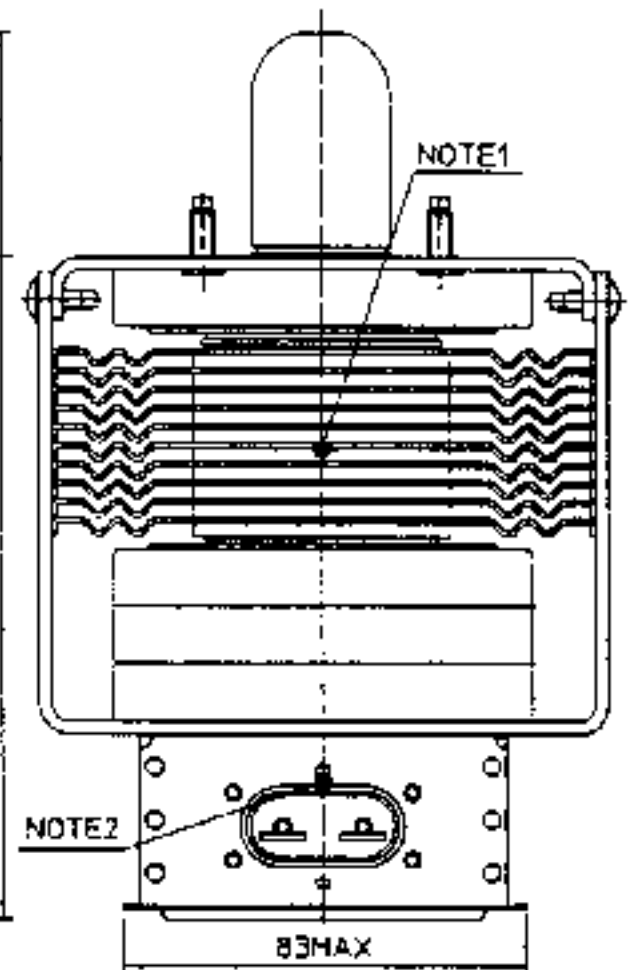
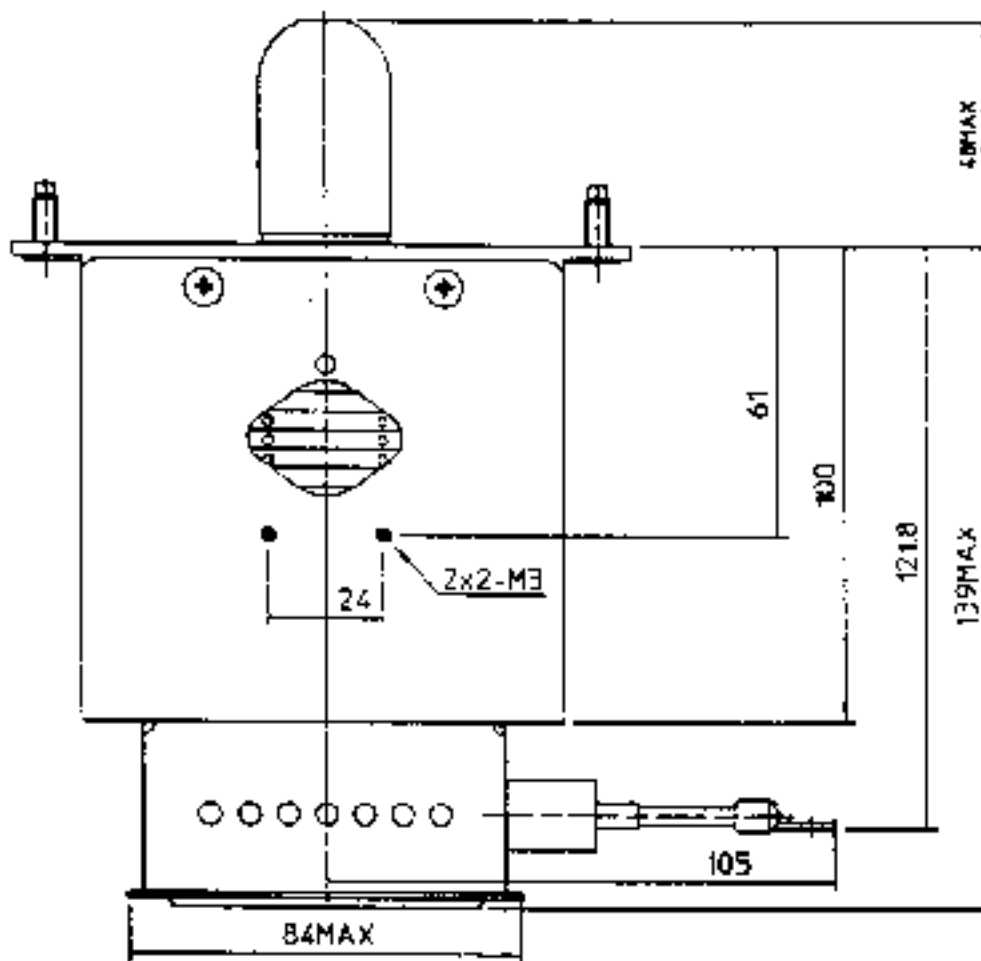
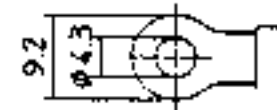
8/10



Unit : mm

- Note1. Anode temperature measuring point. To be measured at the outlet side of air flow.
- Note2. Filter case temperature measuring point.

Dimensions of terminals



10/6/1999

National/Panasonic