

# POWER TRIODE

SHORT FORM SPECIFICATION

# 3CW20000A7

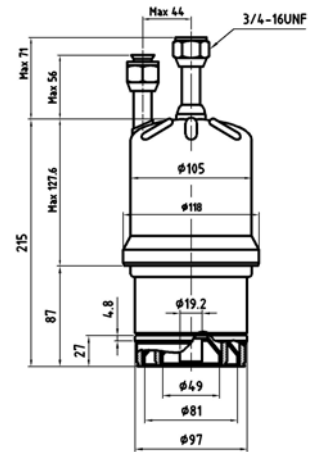
Plate Dissipation (Max.) 20000 W  
Grid Dissipation (Max.) 500 W  
Frequency for Max. rating (CW) 110 MHz  
Amplification Factor 200  
Filament/Cathode Thoriated Tungsten  
Voltage 7,5 V  
Current 99,0 A

Capacitance Grounded Cathode  
Input 59,0 pF  
Output 0,2 pF  
Feed through 36,0 pF

Capacitance Grounded Grid  
Input 59,0 pF  
Output 36,0 pF  
Feed through 0,2 pF

Cooling Water and Forced Air  
Base Coaxial  
Air Chimney SK-1300  
Air Chimney

Length 11,22 in; 285,00 mm  
Diameter 4,65 in; 118,10 mm  
Weight 11,5 lb; 5,2 kg  
Operating Position Vertical, base up or down



Class of Operation	Type of Service	Maximum Ratings			Typical Operation			
		Plate Voltage (Volts)	Plate current (Amps)	Plate Voltage (Volts)	Screen Voltage (Volts)	Plate Current (Amps)	Drive Power (Watts)	Output Power (Watts)
C	Grid Drive Amplifier	7000	4,0	7000	----	4,0	530	21300
C	Grid Driven RF Amplifier Plate Modulated	5500	3,0	5000	----	3,0	380	11900
B	Cathode Driven RF Linear Amplifier	7000	5,0	7000	----	5,0	1540	24200
B	Cathode Driven RF Linear Amplifier	7000	5,0	7000	----	2,4	330	5650



## TUNGSTEN VACUUM ELECTRONICS

Factory: H-2120 Dunakeszi  
Rétipálya

Tel : (36)-27-546-570  
Fax : (36)-27-546-571

E-mail: [Info@tungsten.hu](mailto:Info@tungsten.hu)  
Web: [www.tungsten.hu](http://www.tungsten.hu)