

# POWER TRIODE

SHORT FORM SPECIFICATION

# 3CX15000A3

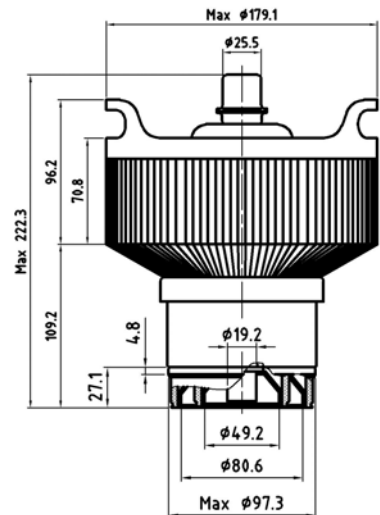
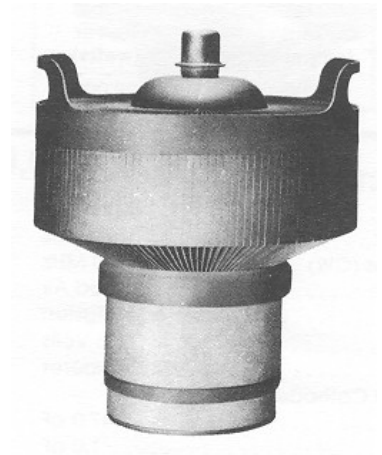
Plate Dissipation (Max.) 15000 W  
 Grid Dissipation (Max.) 500 W  
 Frequency for Max. rating (CW) 100 MHz  
 Amplification Factor 20  
 Filament/Cathode Thoriated Tungsten  
 Voltage 6,3 V  
 Current 160,0 A

Capacitance Grounded Cathode  
 Input 55,0 pF  
 Output 1,4 pF  
 Feed through 34,0 pF

Capacitance Grounded Grid  
 Input pF  
 Output pF  
 Feed through pF

Cooling Forced Air  
 Base Coaxial  
 Air Chimney SK-1300  
 Air Chimney SK-1306

Length 8,75 in; 222,20 mm  
 Diameter 7,05 in; 179,10 mm  
 Weight 12,0 lb; 5,5 kg  
 Operating Position Vertical, base up or down



Class of Operation	Type of Service	Maximum Ratings			Typical Operation			Output Power (Watts)
		Plate Voltage (Volts)	Plate current (Amps)	Plate Voltage (Volts)	Screen Voltage (Volts)	Plate Current (Amps)	Drive Power (Watts)	
C	Cathode Driven RF Amplifier	8000	6,0	8000	----	5,9	740	34000



## TUNGSTEN VACUUM ELECTRONICS

Factory: H-2120 Dunakeszi  
 Rétipálya

Tel : (36)-27-546-570  
 Fax : (36)-27-546-571

E-mail: [Info@tungsten.hu](mailto:Info@tungsten.hu)  
 Web: [www.tungsten.hu](http://www.tungsten.hu)