

POWER TRIODE

SHORT FORM SPECIFICATION

3CX15000A7

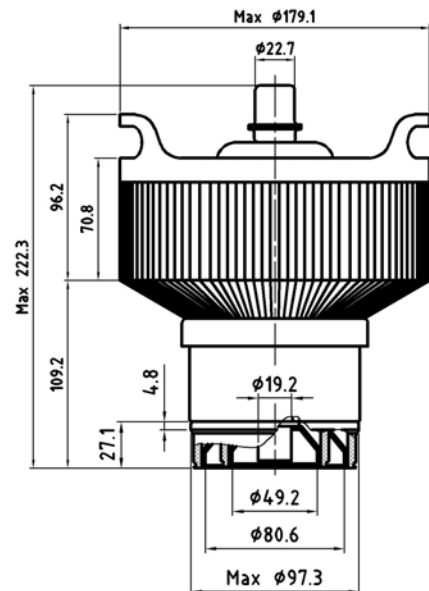
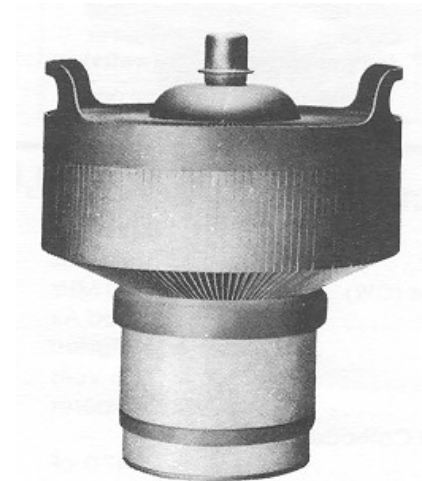
Plate Dissipation (Max.) 15000 W
Grid Dissipation (Max.) 500 W
Frequency for Max. rating (CW) 100 MHz
Amplification Factor 200
Filament/Cathode Thoriated Tungsten
Voltage 6,3 V
Current 160,0 A

Capacitance Grounded Cathode
Input 61,0 pF
Output 0,2 pF
Feed through 36,0 pF

Capacitance Grounded Grid
Input 61,0 pF
Output 36,0 pF
Feed through 0,2 pF

Cooling Forced Air
Base Coaxial
Air Chimney SK-1300
Air Chimney SK-1306

Length 8,75 in; 222,20 mm
Diameter 7,05 in; 179,10 mm
Weight 12,0 lb; 5,5 kg
Operating Position Vertical, base up or down



Class of Operation	Type of Service	Maximum Ratings			Typical Operation			Output Power (Watts)
		Plate Voltage (Volts)	Plate current (Amps)	Plate Voltage (Volts)	Screen Voltage (Volts)	Plate Current (Amps)	Drive Power (Watts)	
C	Grid Driven RF Amplifier	8000	5,0	7000	----	4,0	430	21300
AB	Cathode Driven RF Linear Amplifier	8000	6,0	7000	----	5,9	1750	29600



TUNGSTEN VACUUM ELECTRONICS

Factory: H-2120 Dunakeszi
Rétipálya

Tel : (36)-27-546-570
Fax : (36)-27-546-571

E-mail: Info@tungsten.hu
Web: www.tungsten.hu