

POWER TRIODE

SHORT FORM SPECIFICATION

3CX20000A7

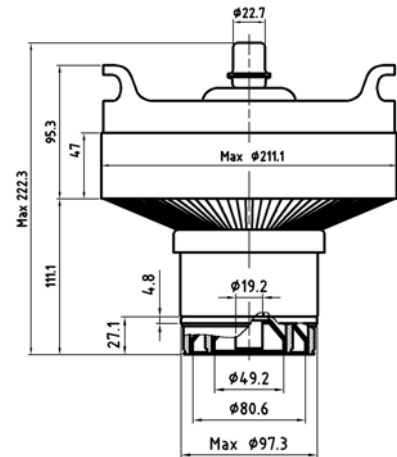
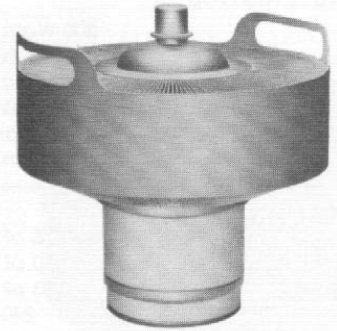
Plate Dissipation (Max.) 20000 W
 Grid Dissipation (Max.) 500 W
 Frequency for Max. rating (CW) 110 MHz
 Amplification Factor 200
 Filament/Cathode Thoriated Tungsten
 Voltage 6,3 V
 Current 160,0 A

Capacitance Grounded Cathode
 Input 61,0 pF
 Output 0,2 pF
 Feed through 36,0 pF

Capacitance Grounded Grid
 Input 61,0 pF
 Output 36,0 pF
 Feed through 0,2 pF

Cooling Forced Air
 Base Coaxial
 Air Chimney SK-1300
 Air Chimney

Length 8,75 in; 222,20 mm
 Diameter 8,31 in; 211,10 mm
 Weight 13,5 lb; 6,15 kg
 Operating Position Vertical, base up or down



Class of Operation	Type of Service	Maximum Ratings			Typical Operation			
		Plate Voltage (Volts)	Plate current (Amps)	Plate Voltage (Volts)	Screen Voltage (Volts)	Plate Current (Amps)	Drive Power (Watts)	Output Power (Watts)
C	Grid Driven RF Amplifier at 110 MHz	10000	5,0	7000	----	4,0	430	21300
C	Cathode Driven RF Amplifier at 110 MHz	10000	5,0	7800	----	4,2	2300	27500
B	Cathode Driven RF Amplifier TV Service at 216 MHz	10000	6,0	7200	----	5,8	1700	27500
AB	Cathode Driven Linear Amplifier at 110 MHz	10000	6,0	7000	----	5,0	1540	24000



TUNGSTEN VACUUM ELECTRONICS

Factory: H-2120 Dunakeszi
 Rétipálya

Tel : (36)-27-546-570
 Fax : (36)-27-546-571

E-mail: Info@tungsten.hu
 Web: www.tungsten.hu