

# POWER TRIODE

SHORT FORM SPECIFICATION

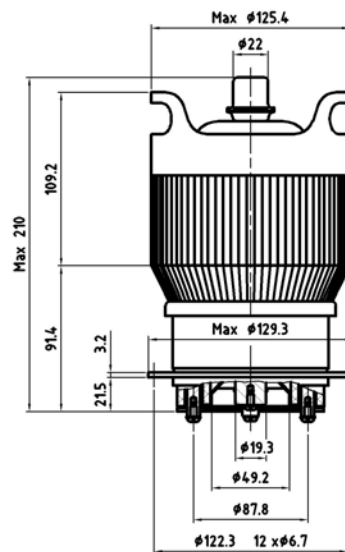
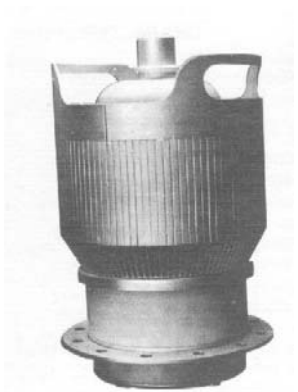
# 3CX5000A7

Plate Dissipation (Max.) 5000 W  
Grid Dissipation (Max.) 35 W  
Frequency for Max. rating (CW) 110 MHz  
Amplification Factor  
Filament/Cathode Oxide Coated Unipotential  
Voltage 10,0 V  
Current 17,5 A

Capacitance Grounded Cathode  
Input 56,5 pF  
Output 34,0 pF  
Feed through 0,2 pF

Cooling Forced Air  
Base Direct Chassis Mounting  
Air Chimney SK-306

Length 8,25 in; 20,96 mm  
Diameter 4,94 in; 125,47 mm  
Weight 9,5 lb; 4,3 kg  
Operating Position Any



| Class of Operation | Type of Service                    | Maximum Ratings       |                      |                       | Typical Operation      |                      |                     | Output Power (Watts) |
|--------------------|------------------------------------|-----------------------|----------------------|-----------------------|------------------------|----------------------|---------------------|----------------------|
|                    |                                    | Plate Voltage (Volts) | Plate current (Amps) | Plate Voltage (Volts) | Screen Voltage (Volts) | Plate Current (Amps) | Drive Power (Watts) |                      |
| AB                 | Cathode Driven RF Linear Amplifier | 6500                  | 1,5                  | 6500                  | ---                    | 1,44                 | 155                 | 5000                 |



## TUNGSTEN VACUUM ELECTRONICS

Factory: H-2120 Dunakeszi  
Rétipálya

Tel : (36)-27-546-570  
Fax : (36)-27-546-571

E-mail: [Info@tungsten.hu](mailto:Info@tungsten.hu)  
Web: [www.tungsten.hu](http://www.tungsten.hu)