

POWER TETRODE

SHORT FORM SPECIFICATION

4CX10000D/8171

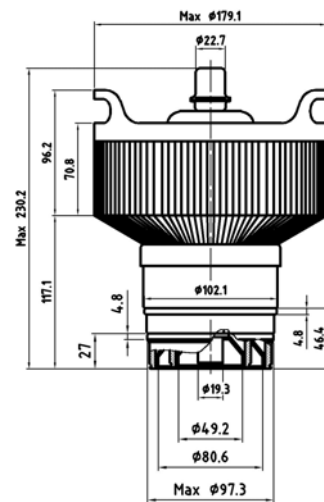
Plate Dissipation (Max.) 10000 W
Screen Dissipation (Max.) 250 W
Grid Dissipation (Max.) 75 W
Frequency for Max. rating (CW) 110 MHz
Amplification Factor 4,5
Filament/Cathode Thoriated Tungsten
Voltage 7,5 V
Current 75,0 A

Capacitance Grounded Cathode
Input 115,0 pF
Output 20,5 pF
Feed through 0,7 pF

Capacitance Grounded Grid
Input 53,0 pF
Output 20,5 pF
Feed through 0,1 pF

Cooling Forced Air
Base Special Coaxial
Air Socket SK-300A
Air Chimney SK-1306

Length 9,13 in; 232,00 mm
Diameter 7,05 in; 179,00 mm
Weight 12,0 lb; 5,50 kg
Operating Position Vertical



Class of Operation	Type of Service	Maximum Ratings			Typical Operation			Output Power (Watts)
		Plate Voltage (Volts)	Plate current (Amps)	Plate Voltage (Volts)	Screen Voltage (Volts)	Plate Current (Amps)	Drive Power (Watts)	
C	RF Power Amplifier	7500	3,0	7500	500	2,8	150	16000
C	RF Power Amplifier Plate Modulated	5000	2,5	5000	500	1,4	25	5800
AB1	RF Linear Amplifier	7500	4,0	7500	1500	3,3	---	15950



TUNGSTEN VACUUM ELECTRONICS

Factory: H-2120 Dunakeszi
Rétipálya

Tel : (36)-27-546-570
Fax : (36)-27-546-571

E-mail: Info@tungsten.hu
Web: www.tungsten.hu