

POWER TETRODE

SHORT FORM SPECIFICATION

4CX10000J

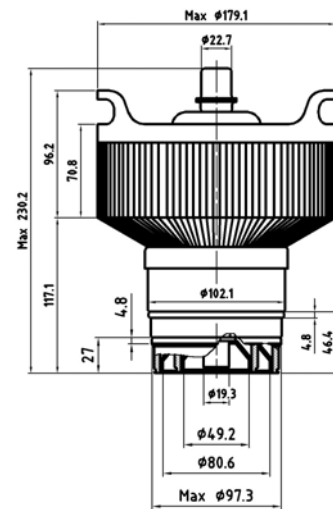
Plate Dissipation (Max.) 12000 W
Screen Dissipation (Max.) 250 W
Grid Dissipation (Max.) 75 W
Frequency for Max. rating (CW) 100 MHz
Amplification Factor 4,5
Filament/Cathode Thoriated Tungsten
Voltage 7.5 V
Current 103,0 A

Capacitance Grounded Cathode
Input 120,0 pF
Output 20,5 pF
Feed through 0,7 pF
Capacitance Grounded Grid

Input 56,0 pF
Output 21,5 pF
Feed through 0,1 pF

Cooling Forced Air
Base Special Coaxial
Air Socket SK-300A
Air Chimney SK-1306

Length 9,13 in; 232, mm
Diameter 7,05 in; 179,00 mm
Weight 12,2 lb; 5,5 kg
Operating Position Vertical



Class of Operation	Type of Service	Maximum Ratings			Typical Operation			Output Power (Watts)
		Plate Voltage (Volts)	Plate current (Amps)	Plate Voltage (Volts)	Screen Voltage (Volts)	Plate Current (Amps)	Drive Power (Watts)	
AB1	RF Linear Amplifier	7500	4,0	7500	1600	2,2	---	10000



TUNGSTEN VACUUM ELECTRONICS

Factory: H-2120 Dunakeszi
Rétipálya

Tel : (36)-27-546-570
Fax : (36)-27-546-571

E-mail: Info@tungsten.hu
Web: www.tungsten.hu