

POWER TETRODE

SHORT FORM SPECIFICATION

4CX15000A/8281

Plate Dissipation (Max.)	15000 W
Screen Dissipation (Max.)	450 W
Grid Dissipation (Max.)	200 W
Frequency for Max. rating (CW)	110 MHz
Amplification Factor	4,5
Filament/Cathode	Thoriated Tungsten
Voltage	6,3 V
Current	160,0 A

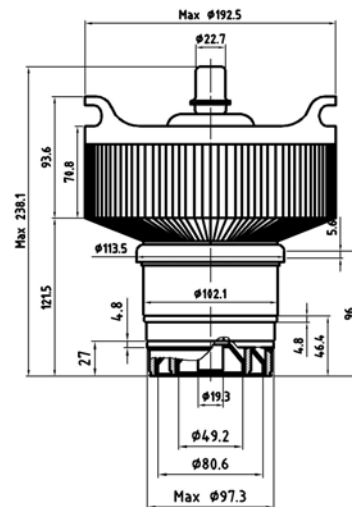


Capacitance	Grounded Cathode
Input	160,5 pF
Output	24,5 pF
Feed through	1,5 pF

Capacitance	Grounded Grid
Input	67,0 pF
Output	25,5 pF
Feed through	0,2 pF

Cooling	Forced Air
Base	Special Coaxial
Air Socket	SK-300A
Air Chimney	SK-316

Length	9,38 in; 238,00 mm
Diameter	7,58 in; 193,00 mm
Weight	12,8 lb; 5,80 kg
Operating Position	Vertical



Class of Operation	Type of Service	Maximum Ratings			Typical Operation			Output Power (Watts)
		Plate Voltage (Volts)	Plate current (Amps)	Plate Voltage (Volts)	Screen Voltage (Volts)	Plate Current (Amps)	Drive Power (Watts)	
C	RF Amplifier	10000	6,0	10000	750	4,6	220	36500
C	RF Amplifier Plate Modulated	8000	4,0	8000	750	3,7	150	23500
AB1	RF Linear Amplifier	10000	6,0	10000	1500	4,3	---	28500
AB1	AF Amplifier or Modulator (2 tubes)	10000	6,0	10000	1500	8,5	---	57700
---	Television Linear Amplifier	6600	5,0	6000	700	3,3	1350	16500



TUNGSTEN VACUUM ELECTRONICS

Factory: H-2120 Dunakeszi
Rétipálya

Tel : (36)-27-546-570
Fax : (36)-27-546-571

E-mail: Info@tungsten.hu
Web: www.tungsten.hu