

POWER TETRODE

SHORT FORM SPECIFICATION

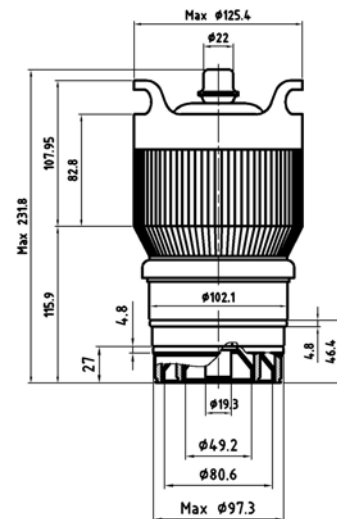
4CX5000R/8170W

Plate Dissipation (Max.) 5000 W
 Screen Dissipation (Max.) 250 W
 Grid Dissipation (Max.) 75 W
 Frequency for Max. rating (CW) 110 MHz
 Amplification Factor 4,5
 Filament/Cathode Thoriated Tungsten
 Voltage 7,5 V
 Current 75,0 A

Capacitance Grounded Cathode
 Input 115,0 pF
 Output 20,5 pF
 Feed through 0,7 pF

Capacitance Grounded Grid
 Input 53,0 pF
 Output 20,5 pF
 Feed through 0,1 pF

Cooling Forced Air
 Base Special Coaxial
 Air Socket SK-300A
 Air Chimney SK-1306
 Operating Position Vertical
 Length 9,13 in; 232,00 mm
 Diameter 4,94 in; 125,00 mm
 Weight 9,5 lb; 4,31 kg
 Operating Position Vertical



Class of Operation	Type of Service	Maximum Ratings			Typical Operation			Output Power (Watts)
		Plate Voltage (Volts)	Plate current (Amps)	Plate Voltage (Volts)	Screen Voltage (Volts)	Plate Current (Amps)	Drive Power (Watts)	
C	RF Amplifier	7500	3,0	6500	750	2,3	100	10000
C	RF Amplifier Plate Modulated	5000	2,5	5000	500	1,4	25	5800
AB1	RF Linear Amplifier	7500	4,0	7500	1250	1,9	---	10000



TUNGSTEN VACUUM ELECTRONICS

Factory: H-2120 Dunakeszi
Rétipálya

Tel : (36)-27-546-570
 Fax : (36)-27-546-571

E-mail: Info@tungsten.hu
 Web: www.tungsten.hu